

DRAIN DRIPSTOP

Manufacturers of Cladding Products for the Construction Industry

CONDENSATION CONTROL FLEECE



DRAIN DRIPSTOP CONDENSATION CONTROL FLEECE

STEADMANS

A Steadman & Son (usually known as Steadmans) are one of the UK's leading manufacturers of roofing and cladding, supplying high quality cladding materials from our sites in England, Scotland and Northern Ireland. We offer total cladding and roofing solutions which we deliver with our dedicated haulage fleet.

THE PROBLEM OF CONDENSATION

Un-insulated roofs with single-skin metal sheeting are likely to suffer from condensation when the metal sheeting is cooled during the winter, or on cold clear nights.

When warm air within the building cools on contact with the metal sheeting it can not support the same quantity of water vapour and may become saturated, with any excess water vapour condensing on the underside of the sheeting.

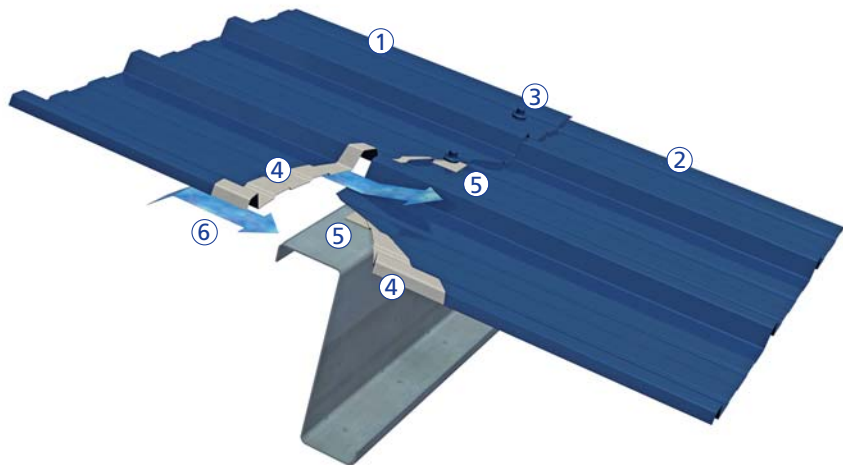
The condensate can drip from the roof, wetting the building's fittings and/or contents, or may run down the roof and collect elsewhere within the building fabric where it can cause rust, rot or damage to fittings.

Condensation is the most common form of dampness encountered in buildings and Part C2 of the building regulations requires designers to prevent harmful condensation forming on or within building elements. Guidance is given in BS 5250:2002.

THE DRAIN DRIPSTOP SOLUTION

Drain Dripstop is a self adhesive polyester fleece designed for un-insulated single skin metal roofs and buildings with high humidity levels and poor ventilation to reduce risk of damage from dripping or running condensate.

Made from interlaced PES fibres, Drain Dripstop slows the formation of condensate by insulating the sheeting and prevents dripping from the underside of the roof by absorbing the moisture and draining it down through its fibres to the gutter.



- | | |
|------------------------|-------------------------------|
| ① Profiled top sheet | ④ Drain Dripstop fleece |
| ② Profiled lower sheet | ⑤ Velcro packer (if required) |
| ③ Fixing screw | ⑥ Condensation |

Drain Dripstop is available on Steadmans AS30 & AS13/3 profiles and is applied to the sheeting during the manufacturing process.

BENEFITS OF DRAIN DRIPSTOP

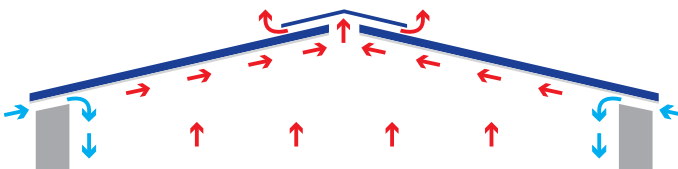
- slows the formation of condensate by insulating the sheeting;
- prevents condensate dripping from the underside of the roof;
- drains condensate safely down the slope of the roof to a gutter;
- can be easily cleaned with a pressure washer.

DESIGN GUIDANCE

Drain Dripstop is suitable for use on roof slopes greater than 7° and the greater the roof slope the faster the moisture is drained from the sheet. Drainage performance of the material per hour for a range of roof slopes is shown below.

Property	Roof slope	Water drained out
Outflow of water after 1 hour	7°	> 10%
	15°	> 15%
	25°	> 25%

Drain Dripstop controls condensation in an environment where it appears cyclically (it can't prevent condensation). For the membrane to work properly the building has to be adequately ventilated to allow the material to dry out between the cycles.



Eaves ventilation required = 2% of roof slope area

Ridge ventilation required = 5% of total roof area

In buildings with poor ventilation or humidity levels greater than 80g/m²/hour roof sheet lengths should be reduced to control the amount of moisture handled by each sheet. The table below gives recommended maximum lengths for a range of roof slopes.

Roof inclination	7°	14°	21°
Recommended Max panel length	3m	5m	7m

The table below shows moisture levels produced by livestock and the area required by each animal to keep humidity levels below 80g/m²/hour.

Animal	Weight	Moisture produced	Area req. per animal
Cows	500kg	361gm/hr	4.51 Sq/m
Horses	500kg	361gm/hr	4.51 Sq/m
Sheep	100kg	83gm/hr	1.04 Sq/m
Pigs	100kg	83gm/hr	1.04 Sq/m
Chickens	2.2kg	5.5gm/hr	0.07 Sq/m
Temp 16°-18° 80% relative humidity			

INSTALLATION

Installation of sheets fitted with Steadmans Drain Dripstop condensation control fleece is the same as standard sheets.

However, when humidity levels are greater than 80g/m²/hour or ventilation is poor, velcro packers or similar are required at fixing screw positions on purlins and in end lap joints to allow the moisture from each sheet to drain out onto the sheet below.



Note: due to its composition there is no need to cut back or lacquer Drain Dripstop at the lower end of roof sheets.

PROPERTIES

Weight	140g/m ²
Thickness	1.5mm
Colour	White/black mix
Water absorption	> 1500g/m ² (installed)
Fire classification	B - s1, d0

Drain Dripstop has good resistance to most acids, hydroxides and sulphides and does not support the growth of bacteria or mould.

MAINTENANCE

When used in livestock buildings Drain Dripstop should be pressure washed at least once a year with a solution containing fungicide.

A. Steadman & Son

England & Wales

Warnell, Welton
Carlisle
Cumbria
CA5 7HH

Tel: 01697 478 277

Fax: 01697 478 530

Northern Ireland & Ireland

Unit 5, Scarva Road Ind. Est.
Banbridge, Co. Down
Northern Ireland
BT32 3QD

Tel: 02840 660 516

Fax: 02840 660 517

Scotland

New Edinburgh Road
View Park
Uddingston
G71 6LL

Tel: 01506 437 753

Fax: 01506 440 716

Mill of Crichtie
Fyvie, Turriff
Aberdeenshire
AB53 8QL

Tel: 01651 891 668

Fax: 01651 891 698

E-mail: info@steadmans.co.uk

Online: www.steadmans.co.uk

ENVIRONMENTAL CREDENTIALS

We recognise the need to manage the impact which our business and processes have on the environment. We believe we have a responsibility to contribute to the well-being of the communities we live in. We are committed to providing a clean, safe environment.

Developing sustainable construction methods presents a challenge to the whole construction industry. Our main raw material, steel, is eminently recyclable: 85 - 90% of steel from demolition goes for re-use and 40% of steel used in new construction has been recycled.

By using modern machinery and upgrading our facilities we are continually reducing the impact of our products on the environment, and improving their contribution to the long-term performance of buildings.

www.steadmans.co.uk

